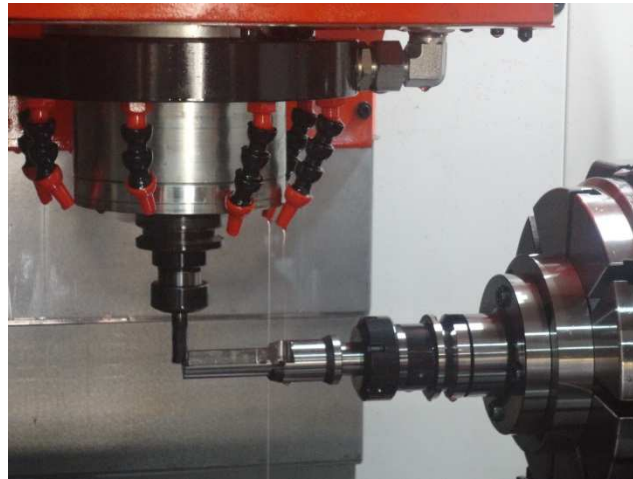




MAC Precitec India

Profile and Overview



Tooling Solution provider



MAC Precitec India

Competency of MAC Precitec India

- Manufacturer of Special Cutting Tools.
- Specialist in design and manufacturing of ISO Boring bar as per customer requirements.
- Process engineering , cycle time estimation and prove out at customer site.



MAC Precitec India

Vision of MAC Precitec India

- To provide complete machining solutions.
- To offer best quality product at economical cost.
- To provide good service support
- To provide world class product by Indigenous technology.



MAC Precitec India

Team of MAC Precitec India

- Core team has worked more than 18-20 years in Design and Manufacturing of Special Cutting Tools.

Engineers -02

Supervisors-02

Technicians - 06

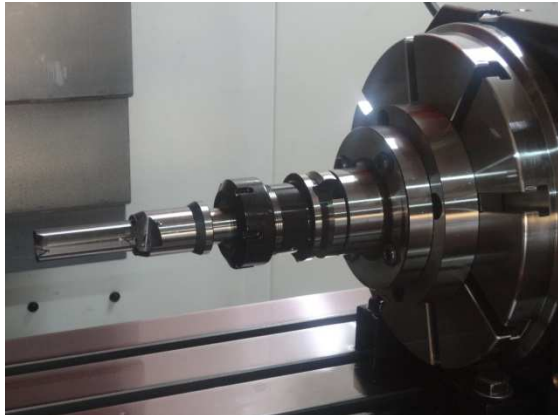
Total 10 employees



MAC Precitec India

Manufacturing Facility at MAC Precitec India

- CNC Vertical Machining Center
- Supporting machines.





MAC Precitec India

Inspection Facility at MAC Precitec India

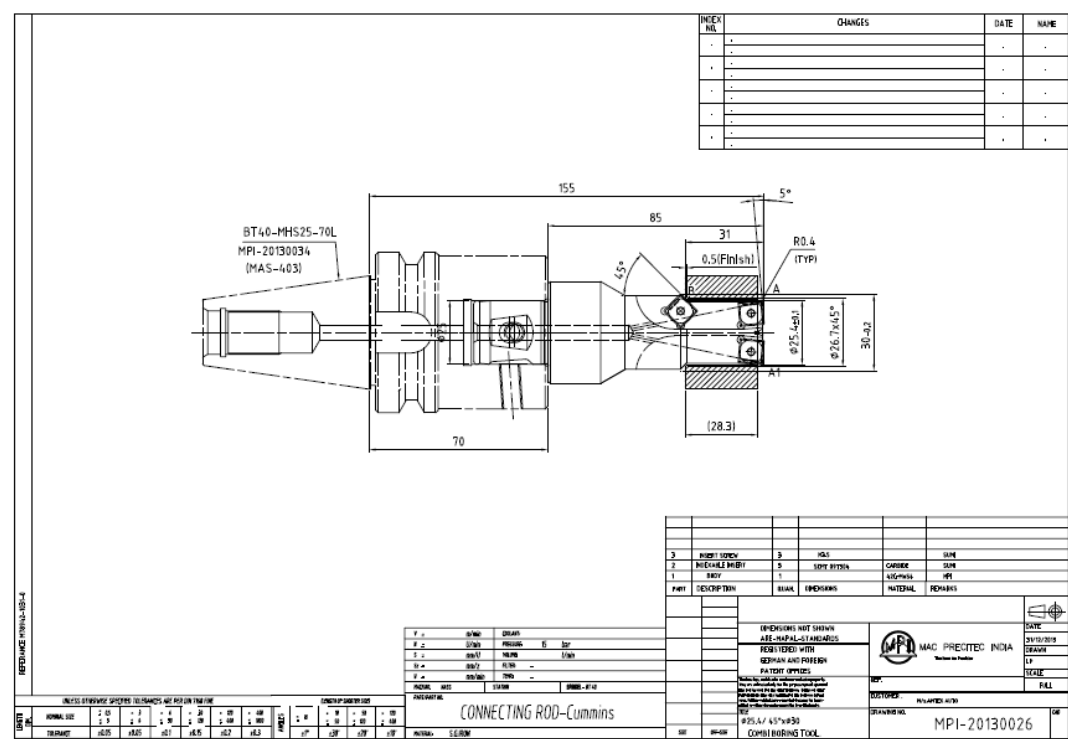
- Special inspection instruments to measure Cutting tool geometries.
- Std. measuring Instruments





MAC Precitec India

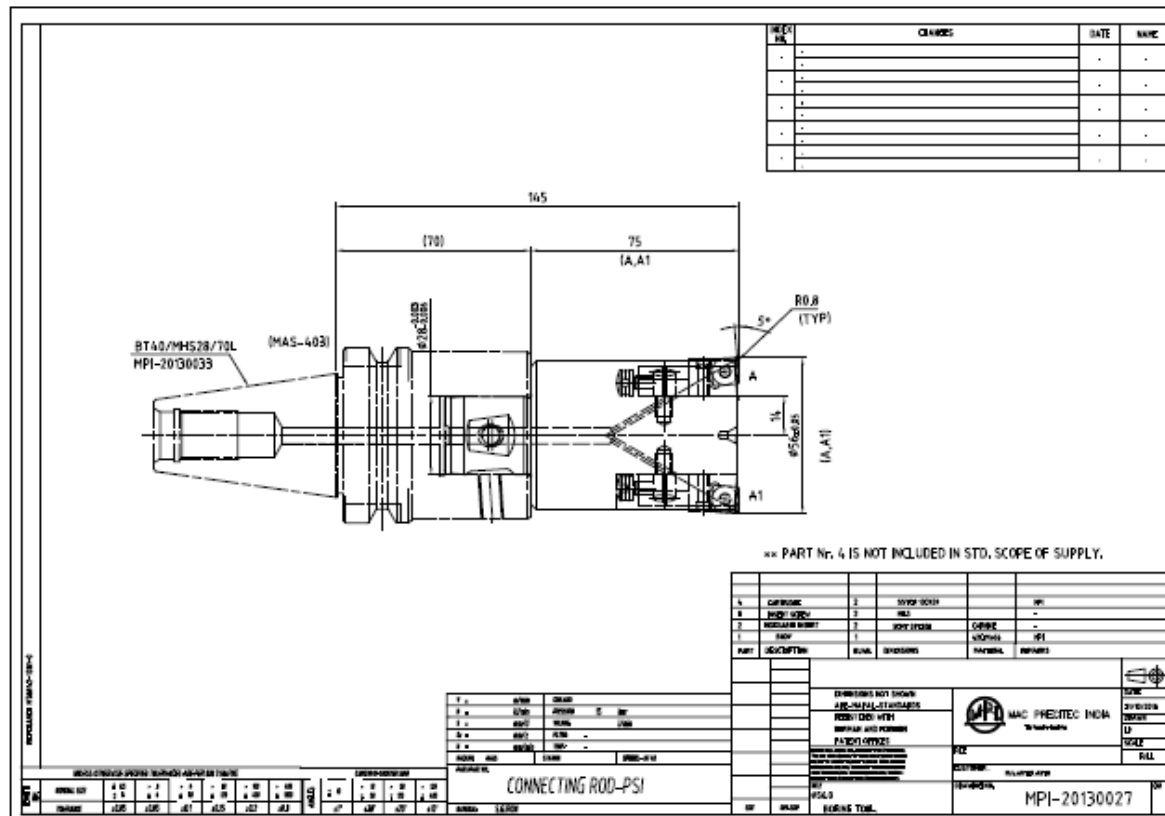
Example Tooling – Connecting Rod





MAC Precitec India

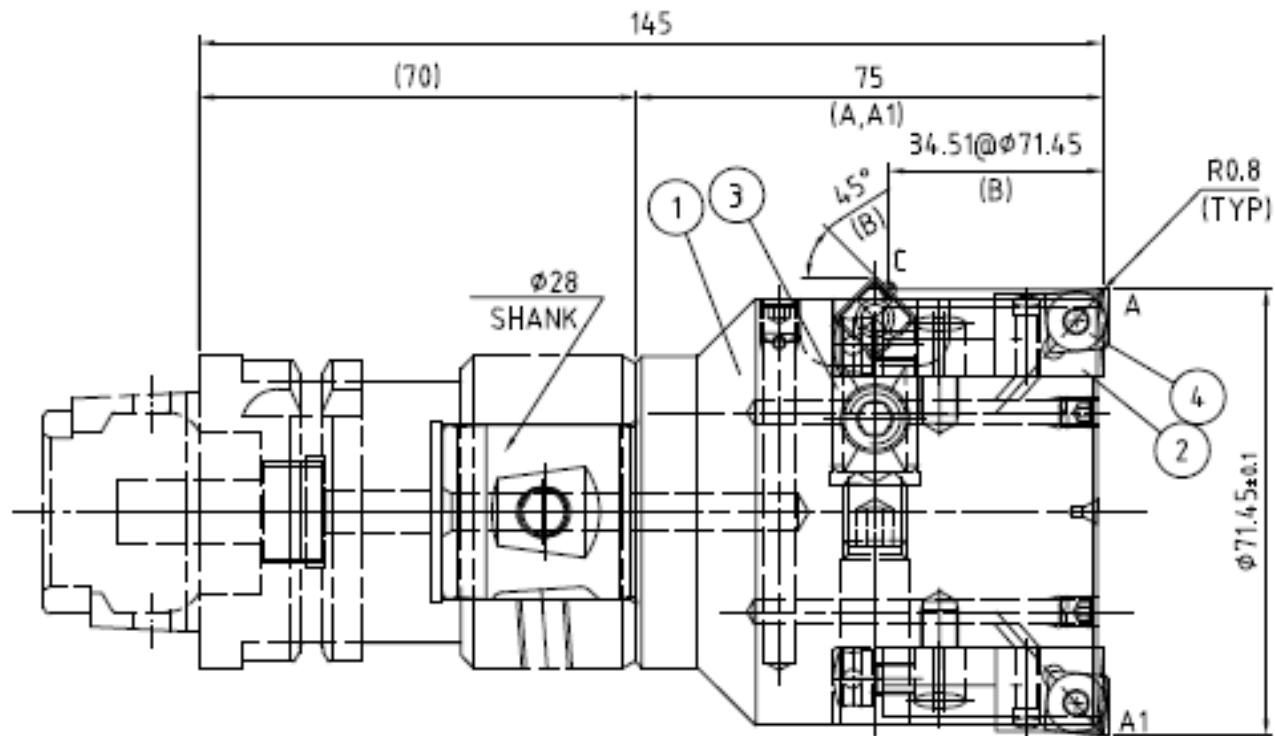
Example Tooling





MAC Precitec India

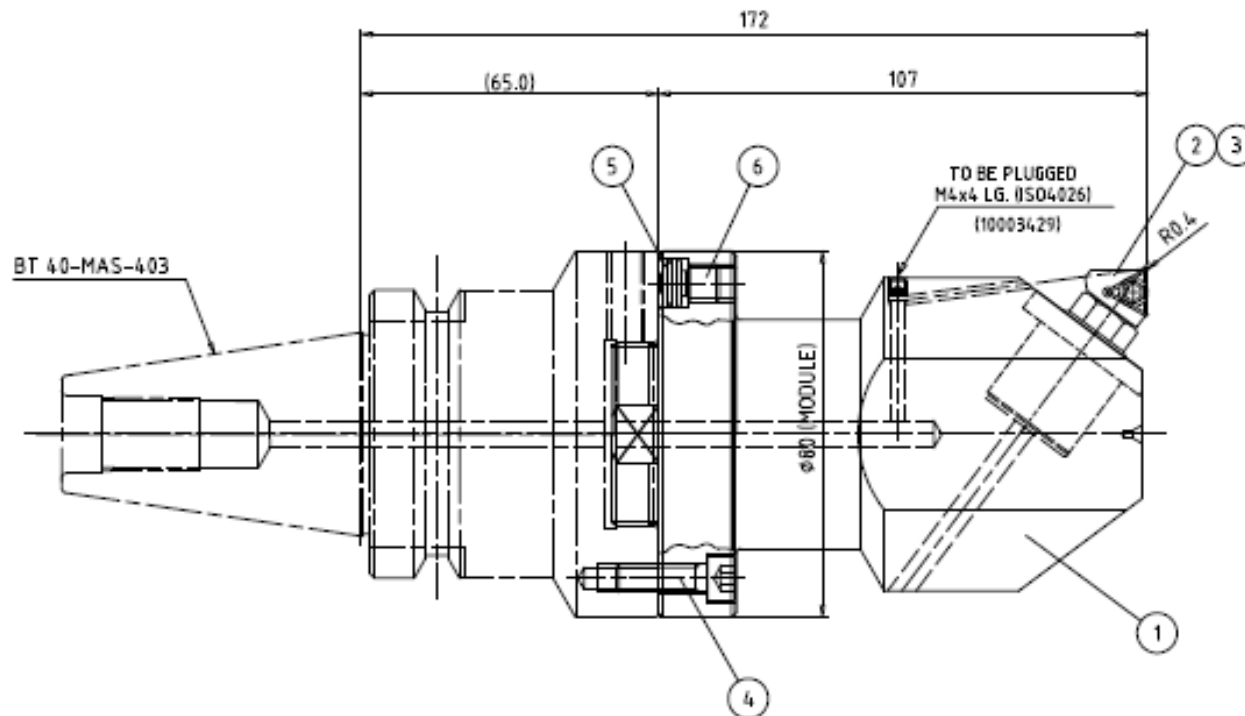
Example Tooling





MAC Precitec India

Example Tooling





MAC Precitec India

Thank you for your kind attention